



Mine Air
Systems

JOYGLOBAL

**MODULAR
Letourneau Gen 1
REMOTE EVAPORATOR UNIT**

MANUAL

**APPLICABLE UNIT PART NUMBERS:
RMNLRE3-DWH-02**



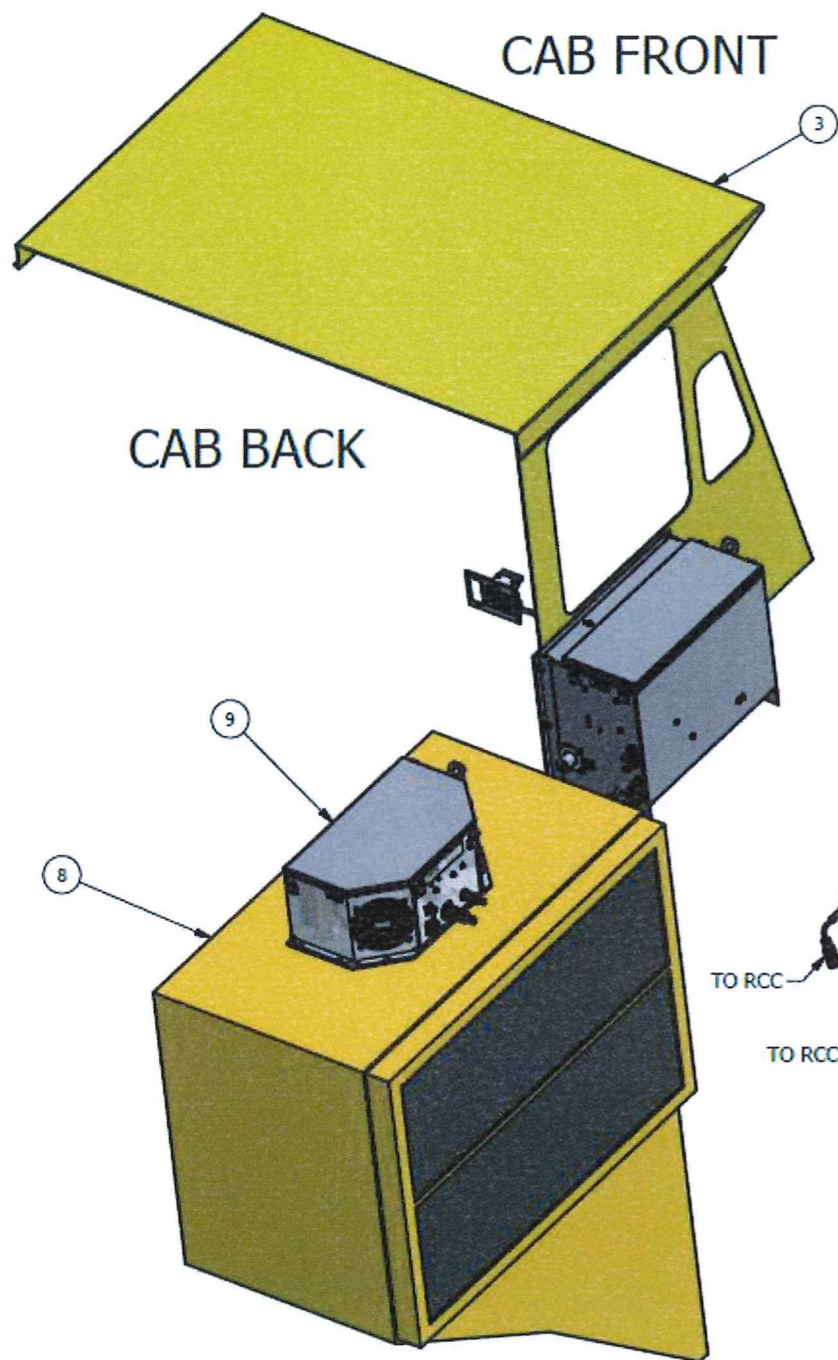
TABLE OF CONTENTS

	Page
1.0 Unit Installation	4
1.1 Installation Notes	5
1.2 Unit Connections	6
2.0 Unit Controls	7
3.0 Unit Assembly	8 / 9
3.1 Unit Parts List	10 / 11
4.0 Unit Schematics	14
5.0 Recommended Spare Parts List	16
6.0 Unit Overview and Specifications	17



Mine Air
Systems

1.0 Unit Installation



Bill of Material			
ITEM	QTY	PART NUMBER	DESCRIPTION
1	1	RMNLRE3-DWH-02	LRE3, Remote Evap Unit, Heat & Cool, 24V
2	1	RMNM038-01-010	LRE GEN 1 ADAPTOR PLATE WELDMENT
3	1	LET GEN 1 CAB	LET GEN 1 CAB REFERENCE ONLY
4	6	NPMN10-12-001	3/8-16 NYLOCK NUT - SS
5	6	NPMN10-12-002	3/8-16 FLAT WASHER - SS
6	1	RMN71-01-034	CLIMATROL IN-CAB TEMP & MODE CTRL
7	1	RMNM038-01-009	LRE CONTROLLER MOUNTING PLATE
8	1	LET GEN 1 KLENZ BOX	LET GEN 1 KLENZ BOX REFERENCE ONLY
9	1	NPMNCRCS-CWC-02	CAT REMOTE CONDENSER w/24V COMPRESSOR & CTRL ENCLOSURE
10	1	RMNMA-IN-LRE3-1-L	LRE3, INSTALL LINE SET

TOLERANCES UNLESS NOTED OTHERWISE:
 DIMENSION TOLERANCE: ± .005
 ANGLE = ± 0° 30'
 BREAK EDGES = ± 0.031
 SURFACE = 125 RMS
 ALL DIMENSIONS IN INCHES

COPYRIGHT 2006, P&H MINE AIR SYSTEMS. THIS DRAWING AND THE INFORMATION CONTAINED THEREIN IS CONFIDENTIAL AND THE SOLE PROPERTY OF P&H MINE AIR SYSTEMS, AND MAY NOT BE TRANSMITTED, USED, OR REPRODUCED WITHOUT THE WRITTEN CONSENT OF P&H MINE AIR SYSTEMS.



TITLE
LRE3 INSTALL

DWN BY	JL	DATE	5/13/2015
CHECKED		DATE	
MATERIAL			
SCALE	N.T.S.	ASSEMBLY	

SHEET	1 OF 1	PRODUCT	
DRAWING NO.	LRE3 INSTALL	WEIGHT	
		SIZE	B
		REV.	1.0



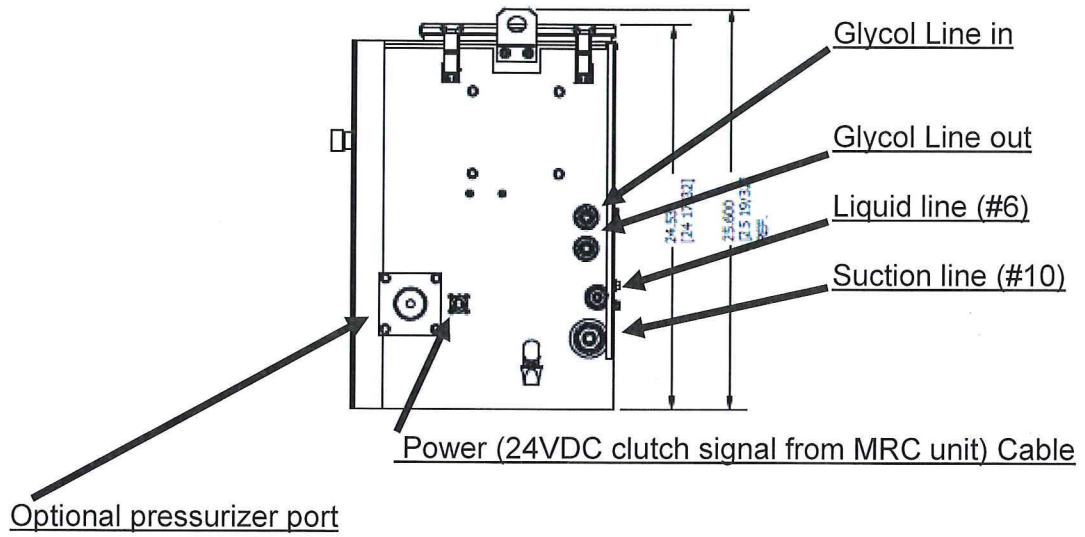
Mine Air
Systems

1.1 Installation Notes

To be determined.



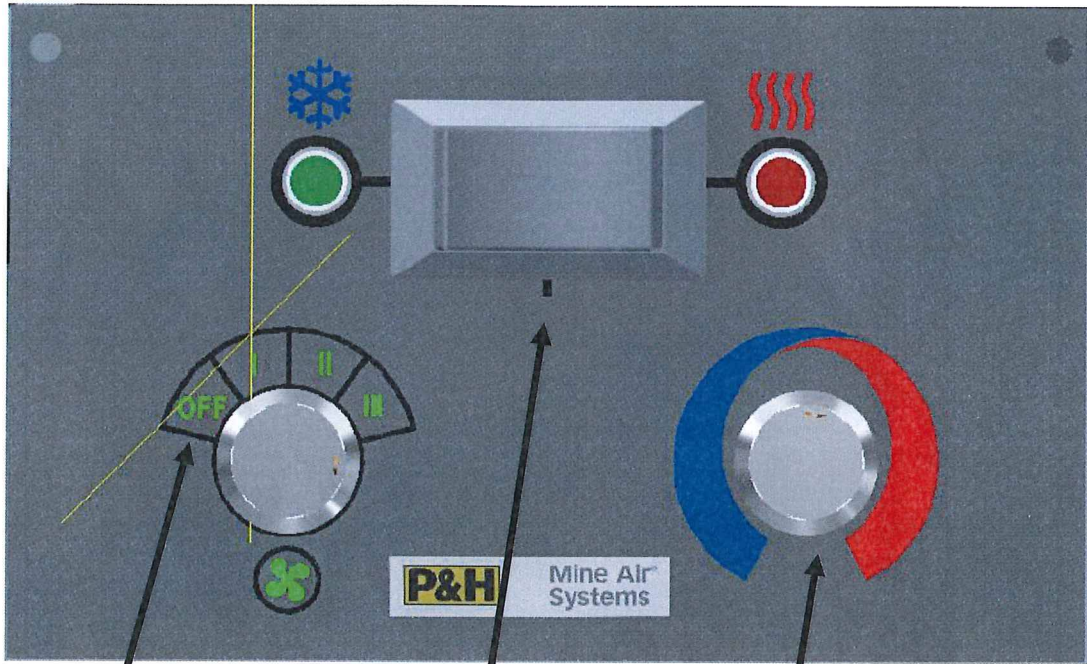
1.2 Connections





Mine Air[®]
Systems

2.0 Unit Controls



3 Speed Fan Switch

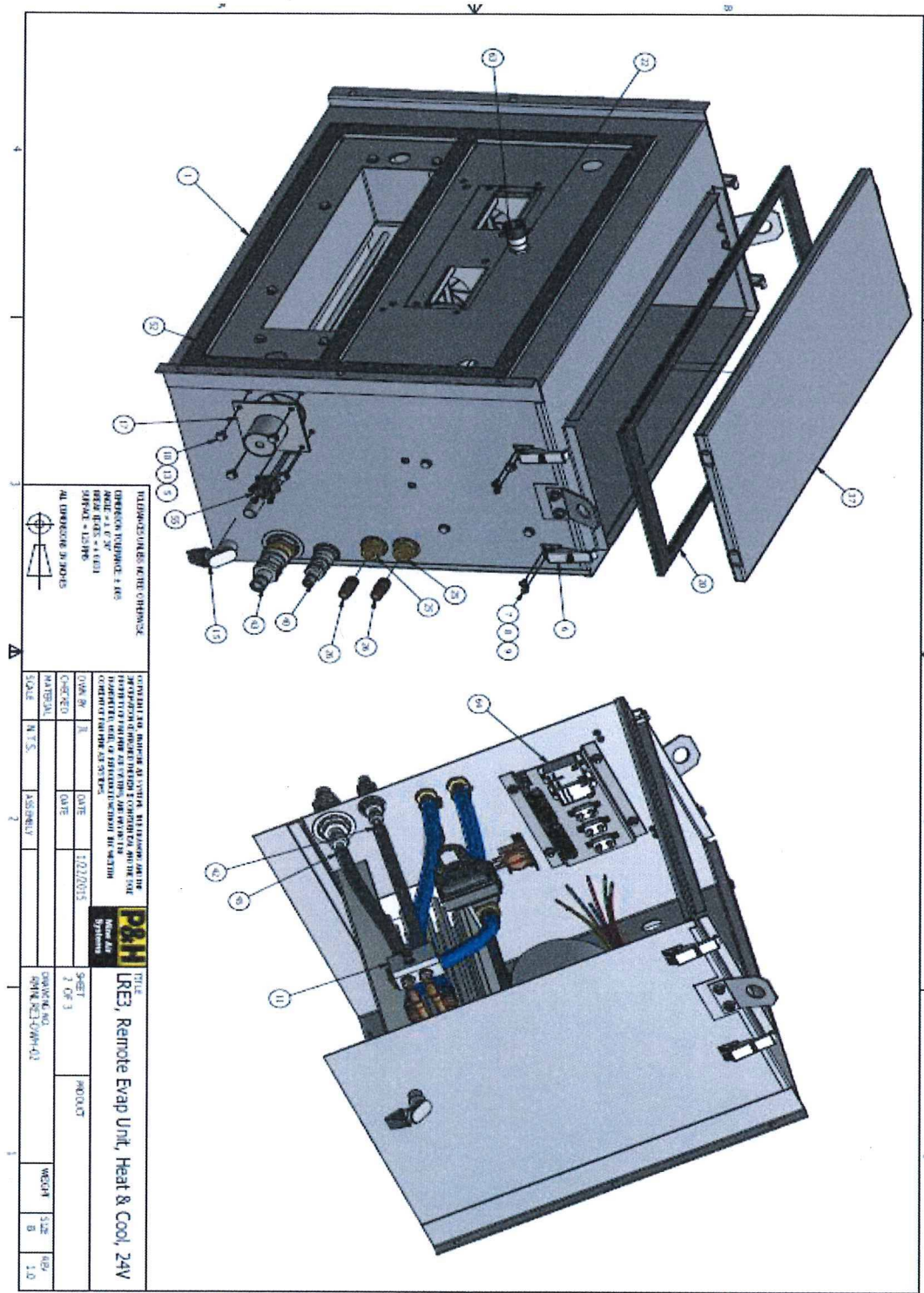
Heat/Cooling Toggle Switch

Rotary Temperature Switch



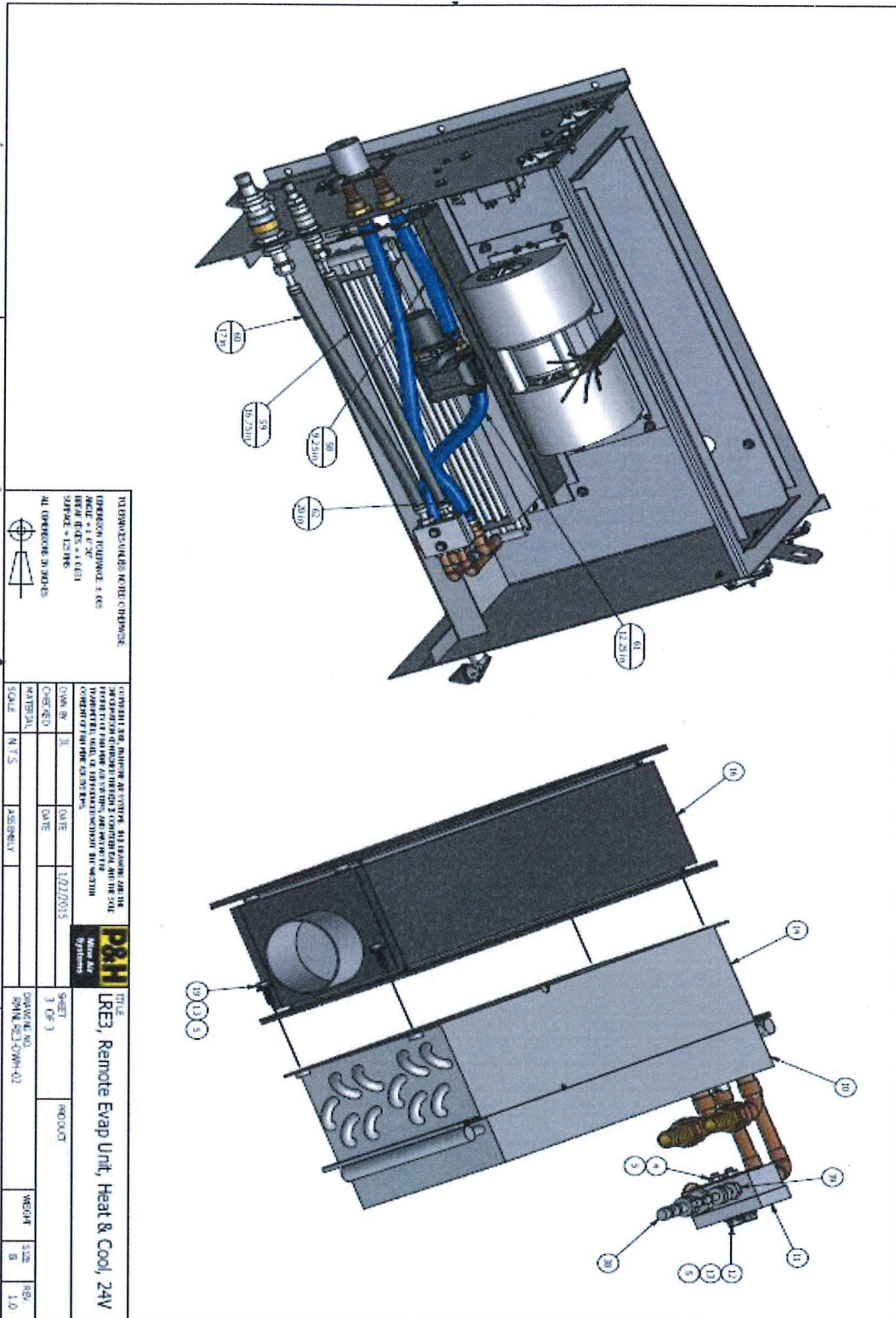
Mine Air®
Systems

3.0 Unit Assembly





Mine Air[®]
Systems



<p>REVISIONS/CHANGES: REVISIONS</p> <p>OPERATION: MINING, 1.400</p> <p>MODEL: LRE3</p> <p>REVISED: 1.1.2015</p> <p>DATE: 1.1.2015</p> <p>BY: [Signature]</p> <p>ALL DIMENSIONS IN INCHES</p>		<p>FOR PARTS LIST, INQUIRY OR ORDER, CONTACT THE LOCAL SALES OFFICE OR THE SALES DEPARTMENT, 10000 10TH AVENUE, DENVER, CO 80231</p> <p>© 2015 P&H MINE AIR SYSTEMS</p>	
DATE	1/22/2015	SHEET	3 OF 3
OPERATION	MINING	PRODUCT	LRE3, Remote Evap Unit, Heat & Cool, 24V
MATERIAL		MANUFACTURE NO.	MANUFACTURE NO.
SIZE	N.T.S.	ASSEMBLY	
		WEIGHT	520 LB
		REV	1.0



3.1 Unit Parts List

Bill of Material			
ITEM	QTY	PART NUMBER	DESCRIPTION
1	1	RMNM038-01-001	LRE3 MAIN CASE WELDMENT
2	1	NPMNMA-5E-105	M050E, BLOWER DUCT PLATE WELDMENT
3	1	NPMN07-01-006	500E SPAL FAN
4	11	NPMN10-10-000	1/4-20 HEX NUT - SS
5	32	NPMN10-10-002	1/4-20 FLAT WASHER - SS
6	4	NPMN20-04-001	HOOK STYLE VANTAGE DOWNUNDER LATCH
7	14	NPMN10-02-050	8-32 X 1/2" - SS, MSCR, PN, PH
8	14	NPMN10-02-003	8-32 LOCK WASHER - SS
9	14	NPMN10-02-002	8-32 FLAT WASHER - SS
10	1	RMNMA-LRE-014	LRE3, HEATER COIL ASSEMBLY
11	1	NPMN71-01-050	ALUMINUM TX SPACER
12	2	NPMN10-10-120	1/4-20 X 2" - SS, HXBT
13	21	NPMN10-10-003	1/4-20 LOCK WASHER - SS
14	1	RMNMA-LRE-015	LRE3, EVAPORATOR COIL ASSEMBLY
15	2	MN60-11-012	CONDENSATE DRAIN - COMPLETE ASSY SOLD 1 PER PACKAGE
16	1	RMNM038-01-002	LRE3 DUCT WELDMENT
17	1	RMNM038-01-003	2" PRESSURIZER HOSE ADAPTOR WELDMENT
18	4	NPMN10-10-050	1/4-20 X 1/2" - SS, HXBT
19	15	NPMN10-10-070	1/4-20 X 3/4" - SS, HXBT
20	1	RMN85-01-019	EPDM (industrial foam) 30.0" x 12.0625"
21	2	NPMN10-17-006	3/4 INTERNAL TOOTH LOCKING WASHER
22	1	MN40-15-019	STRAIN RELIEF CONNECTOR .310-.560
23	1	MN40-15-031	1/2" LOCK NUT - STEEL
24	1	NPMN40-15-017	1/2" PLASTIC BUSHING
25	2	NPMN60-11-058	BRASS BULKHEAD COUPLING (TO SUIT 60-11-057)
26	4	MN30-04-036	FITTING QUICK CONNECT (5/8" HOSE)
27	2	NPMN60-12-012	5/8" X 1/2" BRASS HOSE BARB TO MALE PIPE
28	1	NPMN60-07-006	HEATING VALVE GEMINI
29	1	NPMN20-07-025	2 3/4 X 1/2" HOSE CLAMP
30	1	RMNM038-01-006	HEATING VALVE SUPPORT - LRE
31	1	MN62-13-002	FREEZE STAT - 350
32	4	NPMN10-03-002	10-32 FLAT WASHER - SS
33	2	NPMN10-03-001	10-32 NYLOCK NUT - SS
34	2	NPMN10-03-070	10-32 X 3/4" - SS, MSCR, PN, PH
35	3.500 in	NPMN80-03-003	3" HD PRESSURIZER FLEX HOSE
36	2	MN20-07-004	T-BOLT CLAMP, 3.06-3.37"
37	1	RMNM038-01-005	LRE3 LID WELDMENT
38	1	NPMN60-42-009	ADAPTER, #10, STRAIGHT, MALE INSERT X EZ CLIP HOSE
39	1	NPMN60-40-007	ADAPTER, #6, STRAIGHT MALE INSERT X EZ CLIP HOSE
40	1	NPMN60-40-011	QUICK DISCONNECT BULKHEAD ASSEMBLY #6 MALE ORING
41	1	MN60-04-002	REFRIGERANT DISCHARGE LINE QC DUST CAP
42	1	NPMN60-40-002	ADAPTER, #6, STRAIGHT FEMALE O-RING X EZ CLIP HOSE
43	1	NPMN60-42-012	QUICK DISCONNECT BULKHEAD ASSEMBLY #10 MALE ORING
44	1	MN60-04-001	REFRIGERANT SUCTION LINE QC DUST CAP
45	1	NPMN60-42-000	ADAPTER, #10, STRAIGHT, FEMALE O-RING X EZ CLIP HOSE
46	6	MN60-12-021	CLAMP GR 9/16 - 1 1/16



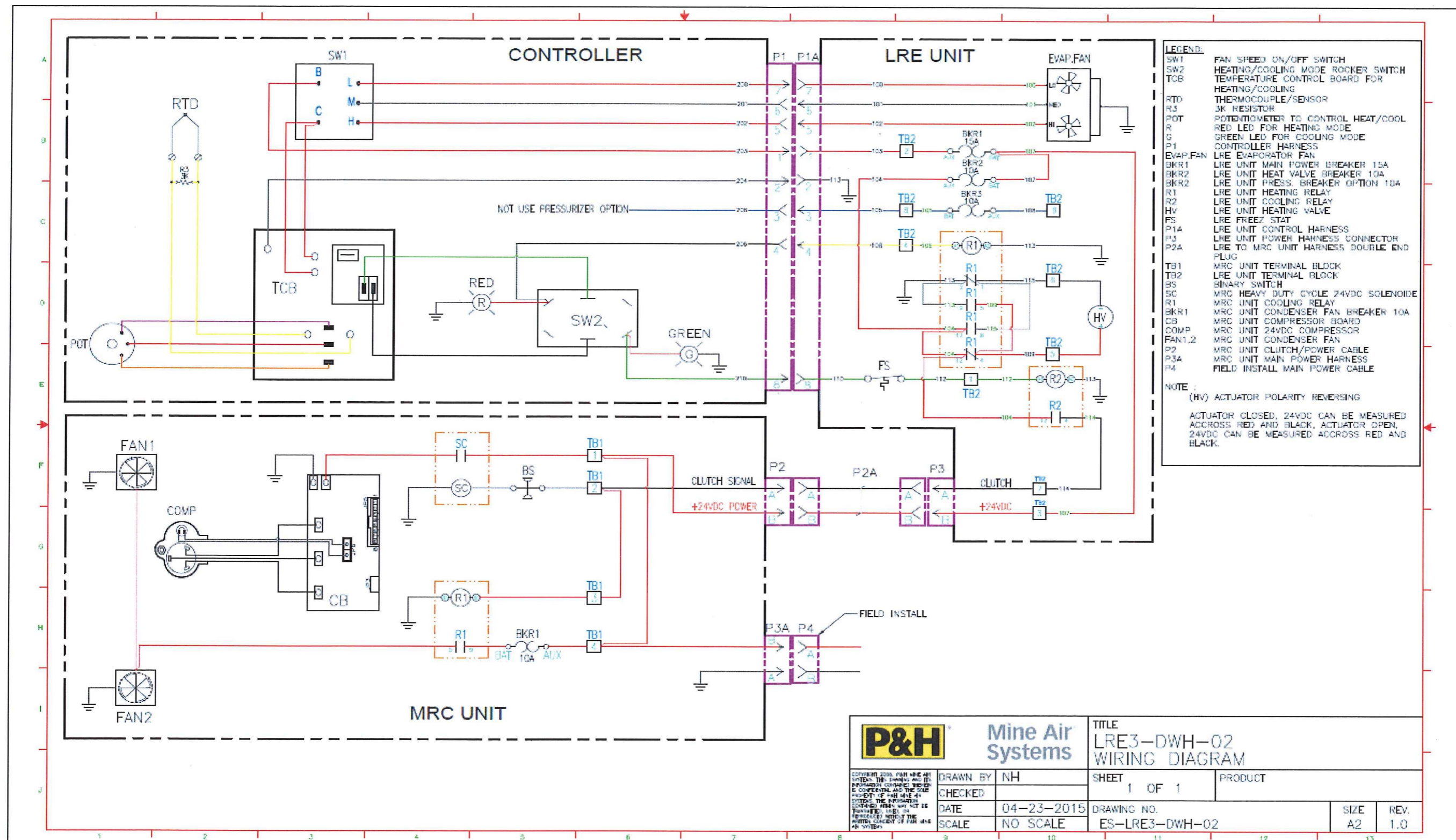
Mine Air
Systems

Bill of Material			
ITEM	QTY	PART NUMBER	DESCRIPTION
47	2	NPMNMA-RE-510-2	LIFTING LUG - REMOTE APPLICATION
48	5	NPMN10-11-003	5/16-18 LOCK WASHER - SS
49	10	NPMN10-11-002	5/16-18 FLAT WASHER - SS
50	4	NPMN10-11-071	5/16-18 X 3/4" - SS, SHCS
51	4	NPMN10-11-001	5/16-18 NYLOCK NUT - SS
52	1	RMN85-01-009	LRE WEATHER GUARD GASKET
53	1	NPMN10-11-070	5/16-18 X 3/4" - SS, HXBT
54	1	NPMN10-11-000	5/16-18 HEX NUT - SS
55	1	NPMN40-17-043	CLUTCH CABLE ASSEMBLY
56	4	NPMN10-01-050	6-32 X 1/2" - SS, MSCR, PN, PH
57	4	NPMN10-01-003	6-32 LOCK WASHER - SS
58	9.250 in	NPMN30-04-024(9.25")	5/8" HEATER HOSE 1
59	16.750 in	NPMN60-40-003-IN	HOSE #6 EZ CLIP
60	17.000 in	NPMN60-42-005-IN	HOSE #10, EZ CLIP
61	12.250 in	NPMN30-04-024(12.25")	5/8" HEATER HOSE
62	20.000 in	NPMN30-04-024(20")	5/8" HEATER HOSE
63	1	RMN41-15-002	LRE3 CONTROL CABLE ASSEMBLY
64	1	RMNM038-01-011	LRE3 ELECTRIC BACKPAN



Mine Air[®]
Systems

4.0 Unit Schematic



P&H Mine Air Systems		TITLE LRE3-DWH-02 WIRING DIAGRAM	
DRAWN BY NH	CHECKED	SHEET 1 OF 1	PRODUCT
DATE 04-23-2015	SCALE NO SCALE	DRAWING NO. ES-LRE3-DWH-02	SIZE A2
			REV. 1.0



Mine Air
Systems

5.0 Recommended Spare Parts List

PART NO.	QTY/UNIT	DESCRIPTION
MN50-01-001	1	3 POSITION ROTARY SWITCH
MN50-01-019	1	KNOB, ALUM, BLACK, .75DIA, .250 SHAFT
MN60-11-012	1	CONDENSATE DRAIN ASSEMBLY
MN80-04-001	1 PER WEEK	7/8 X 7 X 21 3/4 IN CAB FILTER
NPMN60-07-006	1	24VDC HEAT VALVE
MN62-13-002	1	FREEZE STAT - 350
NPMN07-01-006	1	24V 500E BLOWER FAN
RMN85-01-009	1	LRE WEATHER GUARD GASKET/ UNIT LID
MN50-01-003	1	ROCKER SWITCH
MN62-13-003	1	RETURN AIR THERMOSTAT - 350



6.0 Unit Overview & Specifications

Feature	Specification	Feature	Specification
Description	Cab mounted, climate control system	Construction	Case- 16 gauge stainless steel, polished finish.
Electrical	24 VDC	Cooling Capacity	13000 Btu/hr* @ 80 deg F DB/67 deg F WB. Return Air 120 deg F Ambient *achieved in conjunction with MRC unit only*
Recirculated Airflow	High speed- 590 CFM Medium speed- 490 CFM Low speed- 360 CFM	Heating Capacity	22500 Btu/hr @ 180 deg F glycol supply @ 5GPM Flow modulation via automatic on/off solenoid valve
Filters	Disposable 65% efficiency in-cab filter	Refrigerant	R-134A
Physical Size	30" long x 16" wide x 23.5" high		

